

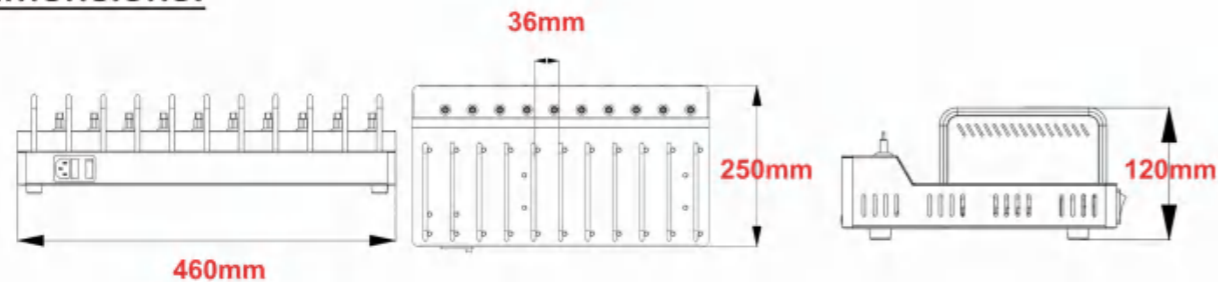
CP10-T-65C

10 Devices USB-C Pre-Wired Open Charging Station

1. Holds and charges 10 devices with up to 14" screens.
2. Pre-wired USB-C self-locking charging cables for easy, plug-and-play setup.
3. Fast Charging: Max 65W charging for each device with LED status indicator.
4. Open Design: No limitation on device size; helps with heat dissipation issues.
5. High Stability: Metal dividers with rubberized edges for safe and stable charging.
6. Multi-Scenario Application: Conference room, leisure meeting room, catering/logistics/warehousing industry, etc.
7. Product dimensions(mm):W460*D250*H120.



Dimensions:



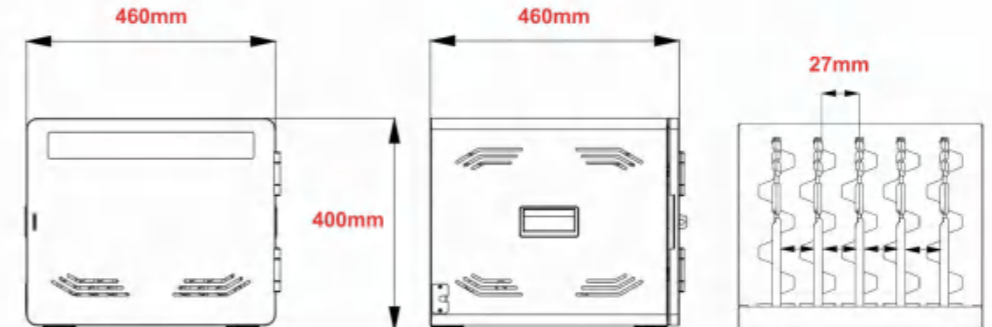
AC12-T/M

12 Devices Desktop Charging Cabinet

1. Holds and charges 12 devices with up to 16" screens.
2. Global Compatibility: EU/US/UK power strips with overload protection.
3. Customizable Layout: Removable dividers adapt to various device sizes.
4. Flexible Deployment: Desktop placement or wall-mountable; 270° hinge door saves space.
5. Cooling & Mobility: Four-sided heat dissipation vents + side handles allow for easy moving.
6. Product dimensions(mm):W460*D460*H400.



Dimensions:





Elastic charging cable

Equipped with elastic charging cable, convenient for charging and storage. (charging cable included)



Removable plastic divider

The plastic divider is removable, allowing the charging space to be freely adjusted to support larger devices, such as VR glasses.



Building block Design

Charging module modular design, strong product flexibility, can be replaced with different power charging modules.

CP12-T/M-27C (USB-C charge, 27W)

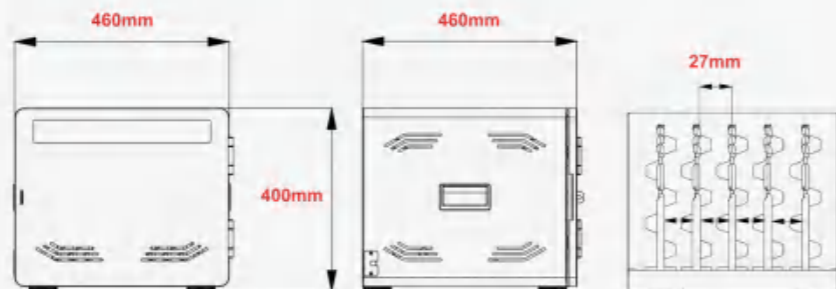
For 12-bay tablet or mobile phone fast charging, support customization to 15-bay, each port up to 65W USB power, 12-bay used at the same time, the maximum power is 27W each port.

CP12-T/M-65C (USB-C charge, 65W)

Standard configuration 12-bay laptop, tablet or mobile phone charging, support for customization to 15-bay, 12-bay used at the same time, the maximum power is 65W each port.



Dimensions:



CP12-T/M

12 Devices USB-C Pre-Wired Charging Cabinet

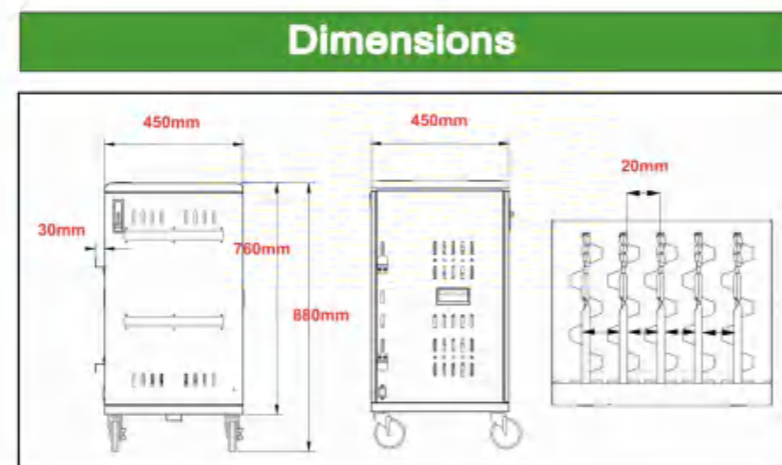
1. Holds and charges 12 devices with up to 16" screens.
2. Pre-wired USB-C charging cables for easy, plug-and-play setup.
3. Fast Charging: 27W/65W simultaneous charging for each device.
4. Smart Status Monitoring: LED indicators visible through acrylic viewing windows.
5. Enterprise Safety: OVP/UVP, short-circuit/overcurrent/overheat/overload protections.
6. Flexible Deployment: Desktop placement or wall-mountable; 270° hinge door saves space.
7. Product dimensions(mm):W460*D460*H400.

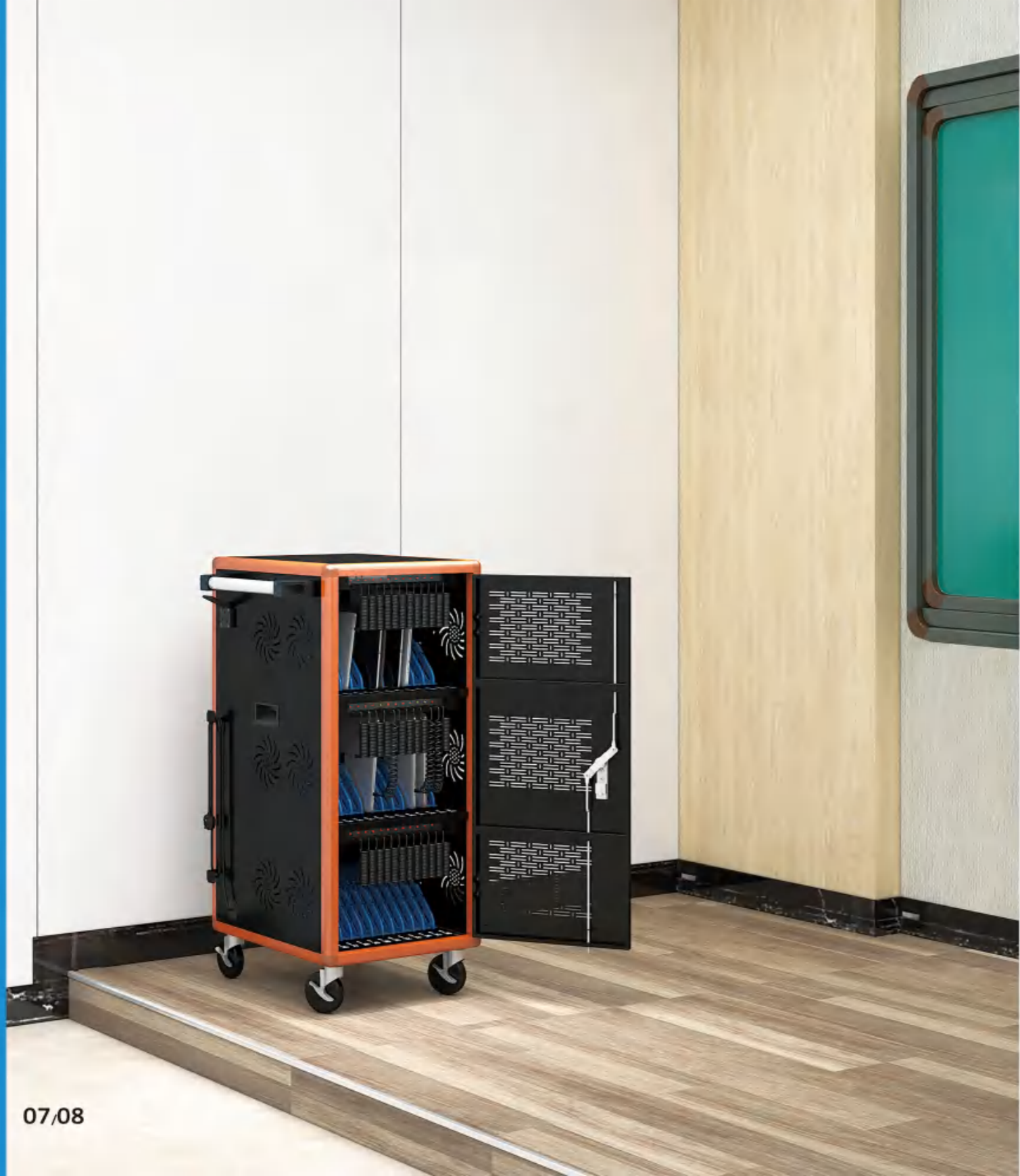


CP30-LU-A

30 Devices USB-C Charging Cabinet

1. Holds and charges 30 devices with up to 12" screens.
2. Smart Status Monitoring: LED indicators visible through acrylic viewing windows.
3. Robust Security: Lockable front/rear doors and reinforced steel construction.
4. Optimized Organization: Two-tiered charging layers with numbered ports;
410×300×130mm top storage compartment.
5. Cooling & Mobility: Four-sided heat dissipation vents + 4-inch swivel mute casters for effortless relocation.
6. Product dimensions(mm):W450*D450*H880.



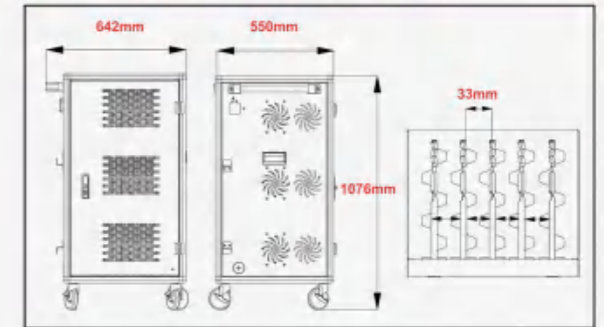


CP36-LU-B

36 Devices USB-C Pre-Wired Charging Cabinet

1. Holds and charges 36 devices with up to 15.6" screens.
2. Pre-wired USB-C charging cables for easy, plug-and-play setup.
3. Fast Charging: 65W simultaneous charging for each device with LED status indicator.
4. Intelligent Power Management: Layered charging algorithms with overload/short-circuit /over-temperature protection.
5. Robust Security: Reinforced aluminum alloy frame and cold-rolled steel interior.
6. Cooling & Mobility: Four-sided heat dissipation vents + 4-inch swivel mute casters for effortless relocation.
7. Product dimensions(mm): W642*D550*H1076.

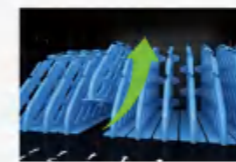
Dimensions



Highlights



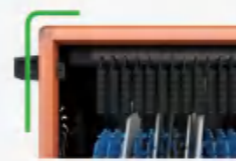
LED status indicator
self locking-telescopic cable



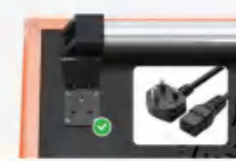
Removable dividers



Handrail
& Side buckle handle



Chamfer design
keep safety



An external power socket
& one power cable



4 movable casters
2 with brakes




AC30-P-D

30 Devices Charging Cabinet

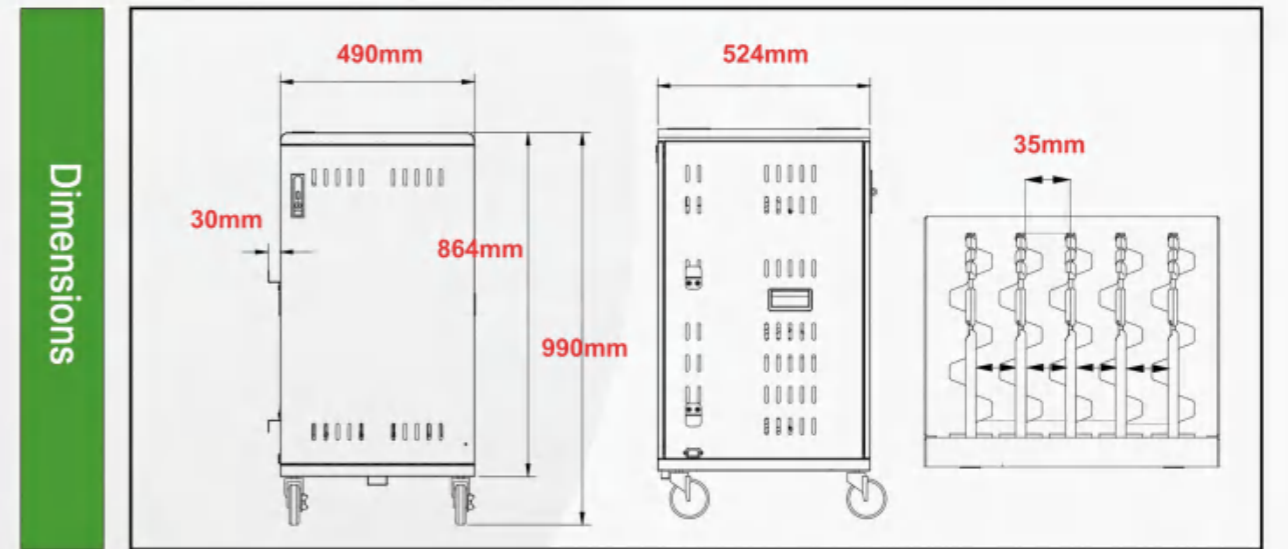
1. Holds and charges 30 devices with up to 15.6" screens.
2. Global Compatibility: EU/US/UK power strips with overload protection.
3. Robust Security: Lockable front/rear doors and reinforced steel construction.
4. Optimized Organization: 3-tier design (10 outlets per level) with numbered ports.
5. Cooling & Mobility: Four-sided heat dissipation vents + 4-inch swivel mute casters for effortless relocation.
6. Product dimensions(mm):W490*D540*H990.



Highlights



- Heat dissipation hole
- Power pocket
- Overload protection
- 30-bay charging partition
- 4 Movable casters (2 with brakes)
- Grounding safety
- Side buckle handle
- One power cable
- Chain lock (chain excluded)

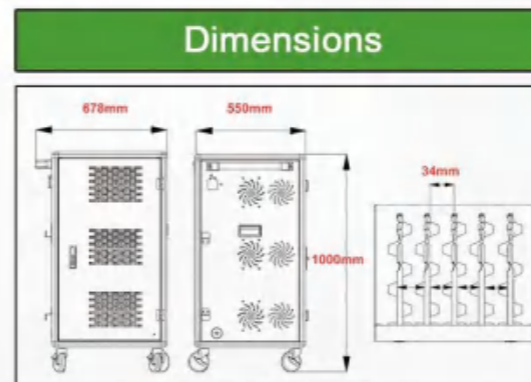




AC36-P-D

36 Devices Aluminum Intelligent Charging Cabinet

1. Holds and charges 36 devices with up to 15.6" screens.
2. Global Compatibility: EU/US/UK power strips with overload protection.
3. Intelligent Power Management: Layered charging algorithms with overload/short-circuit /over-temperature protection.
4. Robust Security: Reinforced aluminum alloy frame and cold-rolled steel interior.
5. Optimized Organization: 3-tier design (12 outlets per level) with numbered ports.
6. Cooling & Mobility: Four-sided heat dissipation vents + 4-inch swivel mute casters for effortless relocation.



Technical Specifications(USB series)

Image



Name	Open Pre-Wired Charging Station	USB Pre-Wired Charging Cabinet	USB Charging Cart	USB Pre-Wired Charging Cart
Model	CP10-T-65C	CP12-T/M-27C (65C)	CP30-LU-A	CP36-LU-B
Dimensions (WDH)	460 × 250 × 120mm	460 × 460 × 400mm	450 × 450 × 880mm	642 × 550 × 1076mm
Divider Spacing	36mm	27mm	20mm	33mm
Supported Device	Phone/Tablet/Laptop	Phone/Tablet/Laptop	Phone/Tablet	Phone/Tablet/Laptop
Indicator Light	Standby ● Charging ● Full ●	Standby ● Charging ● Full ●	Standby ● Charging ● Full ●	Standby ● Charging ● Full ●
Device Capacity	10	12	30	36
Charging Cable	√	√	—	√
Charging Port	Type-C	Type-C	Type-C/USB-A	Type-C
Charging Protocol	QC4/PD3.0/PPS/PE2.0 etc.	QC4/PD3.0/PPS/PE2.0 etc.	QC4/PD3.0/PPS/PE2.0 etc.	QC4/PD3.0/PPS/PE2.0 etc.
Total Power	360W	360/720W	720W	2160W
Maximum Power/Port	65W	30/65W	36W	65W
AC Input	110-250V, 50/60Hz	110-250V, 50/60Hz	110-250V, 50/60Hz	110-250V, 50/60Hz
Power Manager	—	—	√	√
Maximum Screen Size	≤14"	≤16"	≤12"	≤15.6"
Flow-Through Ventilation	√	√	√	√
Cord Management	√	√	√	√
TTL Serial Port	√	√	√	√
Removable Divider	—	√	√	√
Installation Method	Desktop	Desktop/Wall mounting	Floor-standing	Floor-standing
Front Door Type	—	Single	Single	Single
Material	Cold-rolled steel	Cold-rolled steel	Cold-rolled steel	Cold-rolled steel/Aluminum
Mobility Caster	—	—	4	4
Safety Protection	√	√	√	√
Warranty (Extended warranty available)	1 year	1 year	1 year	1 year

Technical Specifications(AC series)

Image



Name	AC Charging Cabinet	AC Charging Cart	AC Charging Cart	AC Charging Cart
Model	AC12-T/M	AC30-P-D	AC36-P-D	AC30
Dimensions (WDH)	460 × 460 × 400mm	490 × 540 × 990mm	678 × 550 × 1000mm	516 × 618 × 1029mm
Divider Spacing	27mm	35mm	34mm	38mm
Supported Device	Phone/Tablet/Laptop	Phone/Tablet/Laptop	Phone/Tablet/Laptop	Phone/Tablet/Laptop
Power Socket	US/UK/EU	US/UK/EU	US/UK/EU	US/UK/EU
Device Capacity	12	30	36	30
AC Input	110-250V, 50/60Hz	110-250V, 50/60Hz	110-250V, 50/60Hz	110-250V, 50/60Hz
AC Output	110-250V, 50/60Hz	110-250V, 50/60Hz	110-250V, 50/60Hz	110-250V, 50/60Hz
Indicator Light	—	Optional	Optional	√
Power Manager	—	√	√	√
Maximum Screen Size	≤16"	≤15.6"	≤15.6"	≤15.6"
Flow-Through Ventilation	√	√	√	√
Cord Management	√	√	√	√
Removable Divider	√	√	√	√
Installation Method	Desktop/Wall mounting	Floor-standing	Floor-standing	Floor-standing
Front Door Type	Single	Single	Single	Single
Material	Cold-rolled steel	Cold-rolled steel	Cold-rolled steel/Aluminum	Cold-rolled steel
Mobility Caster	—	4	4	4
Safety Protection	√	√	√	√
Warranty (Extended warranty available)	1 year	1 year	1 year	1 year

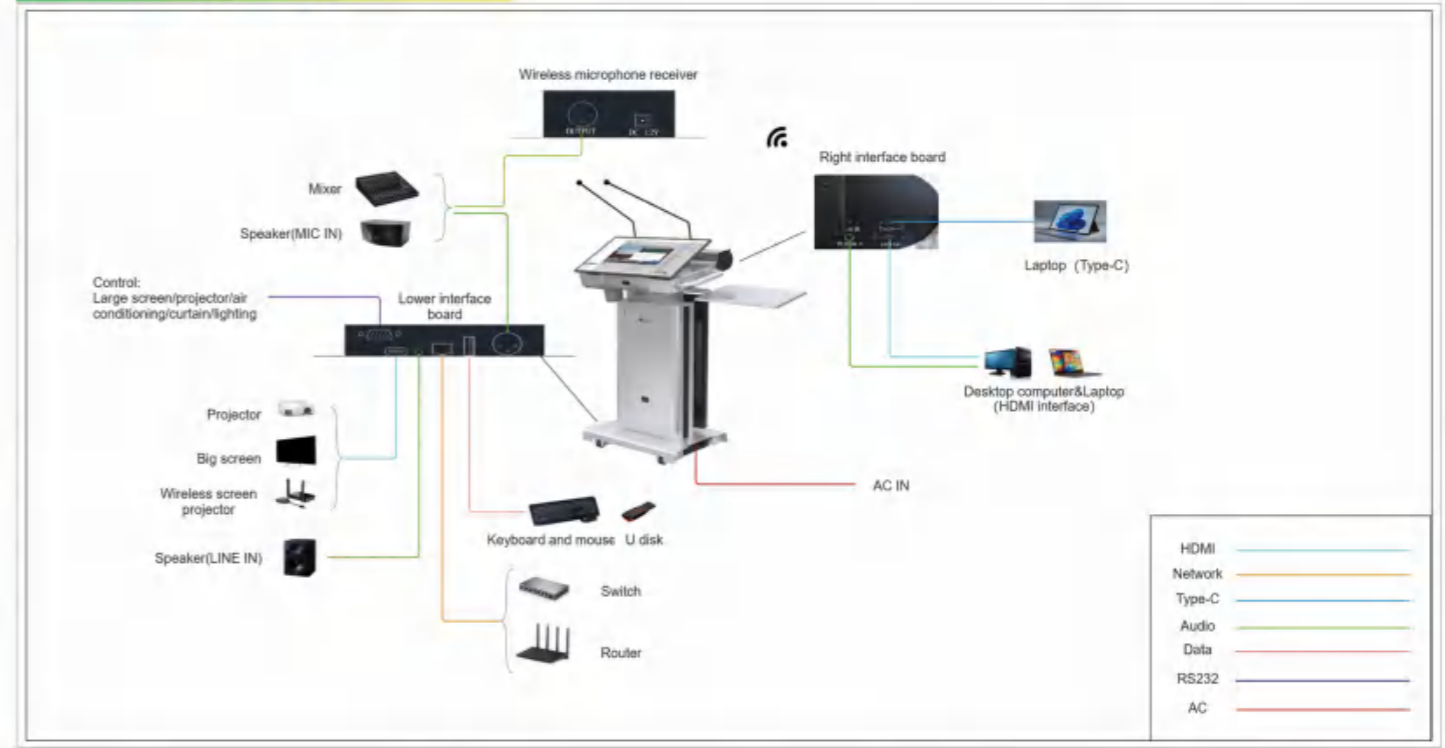


Smart Podium FK535N 2.0

1. Motorized Adjustments: 150mm height adjustment and 10-36° screen tilt for optimal viewing comfort. With remote control.
2. 23.6" All-In-One Touch Computer: 10-point capacitive touch, 1920×1080 resolution, and HDMI/USB compatibility (Intel i5/i7, Windows OS).
3. Professional Audio: Gooseneck mic with V-type pickup (20cm effective range) + optional wireless mic (10m range).
4. Quick-Access Control Panel: 12 one-touch shortcut keys (screen/podium height adjustment, mic control, task window, etc.) for seamless operation.
5. Expandable Modules: Optional 32" digital signage display, 30Ah battery (2-hour backup), and wireless mic system.
6. Material: Aluminum alloy, cold-rolled steel.
7. Dimensions (L*W*H):
 Folded: 730×500×1050mm;
 Unfolded: 1110×500×1310mm.



Topology diagram





Smart Podium FK535K 1.0

1. Motorized Screen Adjustment: One-touch electric tilt (7-25°) for optimal viewing angles.
2. 21.5" All-In-One Touch Computer: 10-point capacitive touch, 1920×1080 resolution, and HDMI/USB compatibility (Intel i5/i7, Windows OS).
3. Professional Audio: Gooseneck mic with V-type pickup (20cm effective range).
4. Expandable Workspace: Silent heavy-duty sliding panel adds extra surface area for laptops or notes.
5. Expandable Modules: Optional 32" digital signage display.
6. Material: Cold-rolled steel, aluminum alloy.
7. Dimensions (L*W*H): Folded: 735×665×1055mm; Unfolded: 1450×850×1095mm.



Smart Podium FK535K 2.0

1. Motorized Screen Adjustment: One-touch electric tilt for optimal viewing angles.
2. 23.8" All-In-One Touch Computer: 10-point capacitive touch, 1920×1080 resolution, and HDMI/USB compatibility (Intel i5/i7, Windows OS).
3. Professional Audio: Speaker & 260W amplifier (360W peak), dual 60cm gooseneck microphones for crystal-clear sound.
4. Quick-Access Control Panel: 6 one-touch shortcut keys (screen adjustment, annotation, external PC, etc.) for seamless operation.
5. Expandable Workspace: Silent heavy-duty sliding panel adds extra surface area for laptops or notes.
6. Material: Cold-rolled steel, aluminum alloy.
7. Dimensions (L*W*H): Folded: 740×670×1060mm; Unfolded: 1450×670×1060mm.



Topology diagram





Smart Podium FK500N

1. Motorized Screen Adjustment: One-touch electric tilt (10-40°) for optimal viewing angles.
2. 21.5" All-In-One Touch Computer: 10-point capacitive touch, 1920×1080 resolution, and HDMI/USB compatibility (Intel i5/i7, Windows OS).
3. Studio-Grade Audio: Speaker & 260W amplifier (360W peak), 60cm gooseneck mic, 2 wireless microphones for crystal-clear sound.
4. Integrated Illumination: Energy-efficient LED reading light eliminates shadows on documents.
5. High-Speed Connectivity: USB 3.0, audio, HDMI, Ethernet, and power for versatile device integration.
6. Material: Cold-rolled steel, aluminum alloy, plastic.
7. Dimensions (L*W*H): 770×630×1150mm.



Topology diagram



Smart Podium FK500V

1. Motorized Screen Adjustment: One-touch electric tilt (10-30°) for optimal viewing angles.
2. 21.5" All-In-One Touch Computer: 10-point capacitive touch, 1920×1080 resolution, and HDMI/USB compatibility (Intel i5/i7, Windows OS).
3. Professional Audio: Gooseneck mic with V-type pickup (30cm effective range).
4. Integrated Illumination: Energy-efficient LED reading light eliminates shadows on documents.
5. High-Speed Connectivity: USB 3.0, audio, HDMI, Ethernet, and power for versatile device integration.
6. Material: Cold-rolled steel, aluminum alloy, plastic.
7. Dimensions (L*W*H): 770×630×1150mm.



Topology diagram





Smart Podium ST100

1. Silent Motorized Lift: 200mm podium height adjustment (<30dB noise) for ergonomic comfort.
2. Dual-Screen System: 23.8" touchscreen + 18.5" front advertising display for dynamic content sharing.
3. Professional Audio: Dual 60cm gooseneck microphones for crystal-clear sound.
4. Quick-Access Control Panel: 6 one-touch shortcut keys (podium height adjustment, annotation, desktop, etc.) for seamless operation.
5. Material: Imported sapele wood, cold-rolled steel.
6. Dimensions (L*W*H): 750×620× (1110-1310)mm.



Topology diagram



Smart Podium ST200

- 1.Silent Motorized Lift: 200mm podium height adjustment (<30dB noise) for ergonomic comfort.
- 2.Dual-Screen System: 21.5" touchscreen + 33" front advertising display for dynamic content sharing.
- 3.Professional Audio: Dual 65cm gooseneck microphones for crystal-clear sound.
- 4.Quick-Access Control Panel: 6 one-touch shortcut keys (podium height adjustment, annotation, desktop, etc.) for seamless operation.
- 5.Smart Accessories: Magnetic 99-minute timer, wireless charging pad, and mini keyboard.
- 6.Material: Imported sapele wood, cold-rolled steel.
- 7.Dimensions (L*W*H): 750×680× (1000-1200)mm.



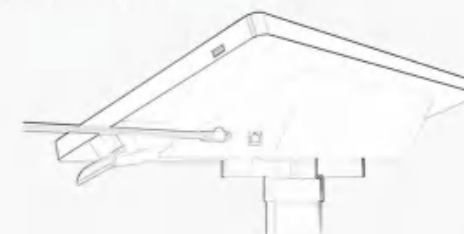
Topology diagram



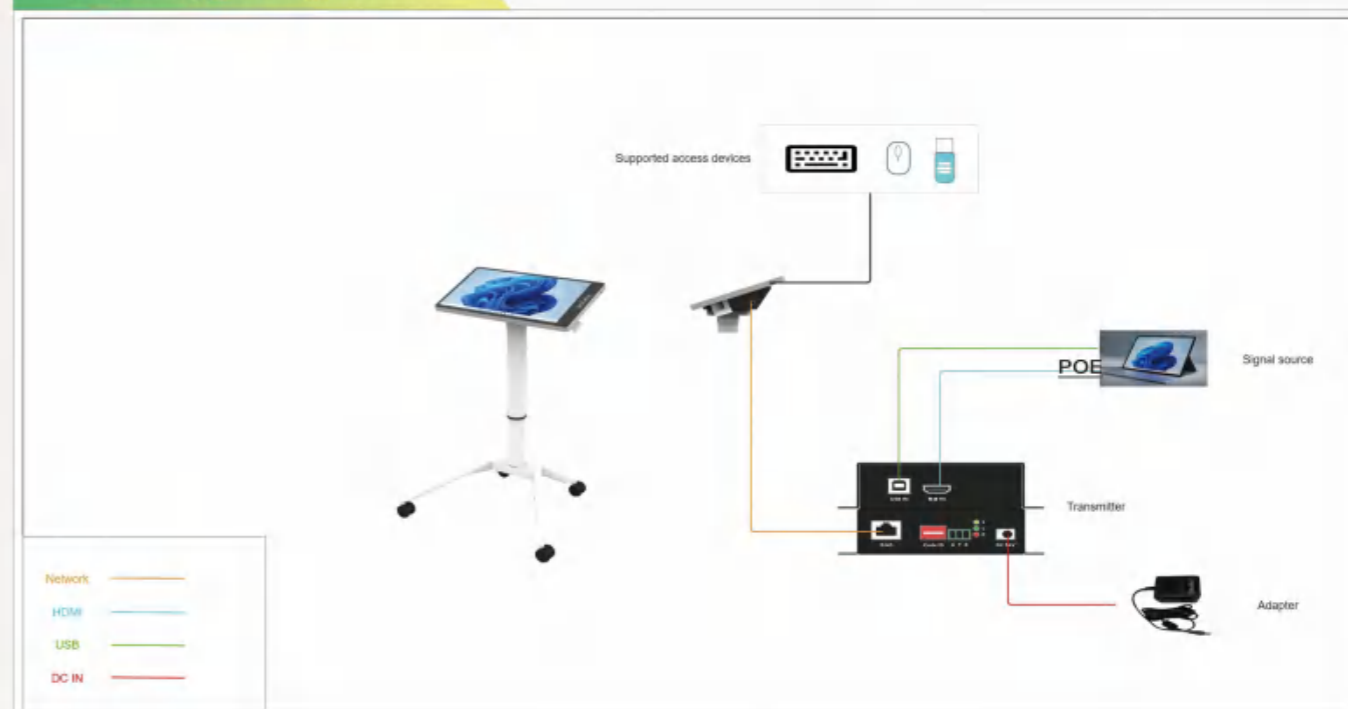


Smart Podium ST400

1. One-Cable Simplicity: POE technology transmits power, audio, and video through a single Ethernet cable.
2. Unbreakable Display: 23.8" capacitive touchscreen with Mohs 7 hardened glass (10-point multitouch).
3. Quick 4-touch keys: Power/Annotation/Desktop/Quick Launch.
4. Effortless Height Control: Aluminum pneumatic lift (1-button infinite adjustment) adapts to standing/seated users.
5. Ergonomic Safety: Kick-proof open-base design; curved control buttons for intuitive operation.
6. Plug & Play: Side USB port for quick peripheral connectivity.
7. Material: Aluminum alloy.
8. Dimensions (L*W*H): 725×590× (830-1120)mm.



Topology diagram



$$2x + y - 4 = x - 2$$

$$2x + y = x + 2$$

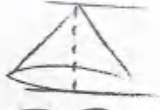
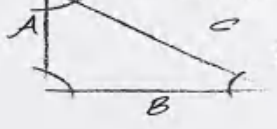
$$2x = x + 2 - y$$

$$x = 2 - y$$

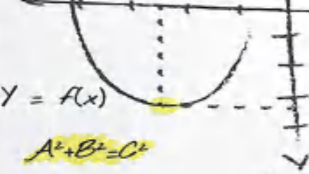


$$y = b^x$$

$$x = \log_b y$$



PROBLEM SOLVING



$$\frac{\sin}{\cos} = -90 < x < 90$$

$$\sin(-a) = -\sin a$$



$$(12-a) + (4+b) = 20$$

$$12-a = \frac{20}{(4+b)}$$

$$12-a = \frac{5}{b}$$

$$12b-ab = 5$$

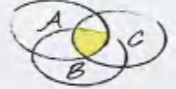
$$12b = 5-ab$$

$$\log_a n = a \neq b^a = n$$

$$\log_a(y) = -\log_a(x)$$

$$\log_a(y) = \log_a(x^{-1})$$

$$** y = x^{-1}$$



Smart Podium ST600

1. The desktop is tilted 10° and the middle body is tilted 85° towards the speaker.
2. Integrated with a gooseneck microphone, an LED reading light, a file holder and an aluminum alloy anti-slip strip on the desktop. There is a place for a handheld microphone and a cup holder.
3. The middle column has a built-in amplifier with integrated power amplifier and speaker; A set of wireless microphones and two handheld microphones; With HDMI, Audio input/output interface.
4. The overall design is detachable and easy to install on site (three layers: upper, middle and lower).
5. Material: MDF, cold-rolled steel, aluminum alloy.
6. Dimensions (L*W*H): 580×455×1080mm.



Topology diagram





Smart Podium ST800

- 1.Height Adjustments: Electric 150mm height adjustment and manual 0-30° screen tilt for optimal viewing comfort.
- 2.21.5" All-In-One Touch Computer: 10-point capacitive touch, 1920×1080 resolution, and HDMI/USB compatibility (Intel i5/i7, Windows OS).
- 3.Integrated Audio: 60cm high-sensitivity gooseneck mic with noise reduction for crystal-clear sound pickup.
- 4.Customizable Branding: Front-facing 300x210mm LED-backlit sign for personalized event themes or logos.
- 5.Rich Connectivity: HDMI, USB 3.0, LAN, VGA, and audio ports for seamless device integration.
- 6.Optional Upgrades: Foldable laptop tray or dual-mode touchscreen with AG coating and passive stylus.
- 7.Material: Cold-rolled steel.
- 8.Dimensions (L*W*H): 600×505× (1053-1203)mm.



Topology diagram





Smart Podium SP-Y600-E

- 1.Silent Motorized Lift: 150mm height adjustment (<30dB noise) for ergonomic comfort.
- 2.Dual-Mode Touchscreen: 21.5" anti-glare display with electromagnetic (8,192-level pressure) + capacitive (10-point) touch, ideal for precise annotations.
- 3.High-Fidelity Audio: Speaker & 260W amplifier (360W peak), 60cm gooseneck mic for crystal-clear sound.
- 4.Portable Design: 4 lockable wheels + lightweight steel frame for easy mobility.
- 5.Integrated Tools: Passive stylus with eraser, USB 3.0 connectivity, and hidden cable management.
- 6.Material: Cold-rolled steel.
- 7.Dimensions (L*W*H): 700×460× (1100-1250)mm.

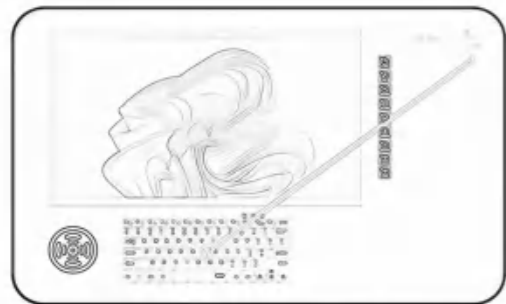


Topology diagram



Smart Podium SP-Y900-E

- 1.Silent Motorized Lift: 300mm height adjustment (<30dB noise) for seated or standing presentations.
- 2.All-in-One Design: 21.5" capacitive display (10-point touch) + OPS host (Intel i5/i7, Windows OS) + wireless charging.
- 3.Professional Audio: Speaker & 260W amplifier (360W peak), 70cm gooseneck mic for crystal-clear sound.
- 4.Quick-Access Control Panel: 9 one-touch shortcut keys (podium height adjustment, annotation, desktop, etc.) for seamless
- 5.Portable & Durable: 4 lockable wheels + aerospace aluminum frame (5mm thickness).
- 6.Material: Aluminum alloy, cold-rolled steel.
- 7.Dimensions (L*W*H): 800×490× (950-1250)mm.





Smart Conference Lift Cabinet GF09-H200

1. Motorized Height Control: One-touch lift mechanism synchronizes with power on/off.
2. 4K Interactive Display: 55" IR touchscreen with 40-point multitouch, 3mm tempered glass, and 120pts/s tracking.
3. Integrated Audio-Visual: 90W speaker system (360W peak) + wireless mic with volume control + HDMI/AV I/O.
4. Smart Collaboration: Wireless casting (iOS/Android/Windows), whiteboard software, and seamless video switching.
5. Enterprise-Grade Hardware: Quad-core ARM Cortex-A55 CPU, 4GB RAM, dual-band Wi-Fi, and Gigabit Ethernet.
6. Large Storage Capacity: With 3 storage drawers and 2 storage cabinets, convenient to place various meeting supplies and materials.
7. Shortcut Key: 4 keys for power on/off, video switching, screen up, and screen down.
8. Material: Cold-rolled steel.
9. Dimensions (L*W*H): 1400×450×940mm.



Topology diagram



Smart Podium FK530T 2.0

1. Electrically lift table, with flexible adjustment of different heights. Engineering grade motor, smooth lifting, stable and more reliable.
2. Equipped with touch screen display and OPS(Inteli3/i5/i7processor,WindowsOS).
3. More desktop space, providing sufficient workspace for presenters.
4. Reserved pull-out cable box, convenient for presenters to use laptop.
5. Cabinet style design is adopted below the desktop, and rack design for multimedia equipment installation.
6. Equipped with microphone for easy presentation.



Smart Teacher Desk S800SN

1. Equipped with 21.5-inch capacitive all in one touch computer on the podium.
2. Equipped with built-in speakers and amplifier, Microphone.
3. Display angle adjustable as presenters height.
4. Equipped with Document camera.
5. Cabinet style design is adopted below the desktop, and rack design for multimedia equipment installation.
6. Easy to connect big screen or projector.





Smart Podium S700

1. Equipped with 21.5-inch capacitive all in one touch computer on the podium.
2. Display angle adjustable as presenters height.
3. Equipped with microphone for easy presentation.
4. Cabinet style design is adopted below the desktop, and rack design for multimedia equipment installation.
5. Easy to connect big screen or projector.





Smart desk SP-Y700 2.0

- 1.Supports the installation of a 50-65 inch large display screen, which can be raised or lowered. The display screen can be shrunk into the cabinet, saving space and protecting the screen.
- 2.The mobile cabinet can be separated from the desk, with casters for easy movement.
- 3.The display screens of each group are linked to the intelligent lectern, the group content is instantly shared on the large screen, with good interactive effects.



Folding Chair Y3-10L



- 1.Foldable for storage, saving space.
- 2.Using high-quality mesh fabric, with excellent wear and stain resistance.
- 3.The universal casters can rotate 360 degrees, equipped with foot brakes, movable and lockable, reducing noise while avoiding scratching the floor, making it easy and convenient.
- 4.Product size:61*55.5*83.5CM.

Elevating Computer Desk Z60

1. Smart lifting computer desk for six people.
2. Support remote control of screen lifting and lowering.
3. Small size, easy to install, saving transportation and installation costs.
4. Install leakage protection devices to ensure the safety of teachers and students.
5. Multiple USB, audio, and 86 type power box interfaces for easy use.
6. The mobile and freely combinable smart desks and chairs make the layout of computer classrooms more flexible.
7. A dynamic classroom, a smart classroom.



Multi Functional Learning Chair Y8-03L-W

1. Integrated chair seat
The chair seat is smooth, finely crafted and aesthetically pleasing, safe and comfortable.
2. Ergonomic backrest
Based on ergonomics, the integrated hollow backrest is formed.
3. Durable chair legs
Double layer steel pipe chair legs, with a load-bearing capacity of 150KG, sturdy and durable.
4. Large capacity book rack
The bottom large capacity storage rack design is convenient for placing books and other items, simple and practical.



Folding Combination Table Z26

1.The double seat design not only meets the layout requirements of traditional classrooms, but also allows for arbitrary combinations and increases spatial diversity.

2.Multiple teaching modes and usage scenarios can be switched. Foldable for storage without taking up space.

3.Product size: 120*55*75CM.



Folding Combination Table Z27

1.The rounded arc increases the use of comfort, optimizes the space, and is more personalized.

2.The splicing combination is free to switch the class mode. It can be folded and closed, does not take up space, and freely switch the number of people.

3.Product size:
Fan-shaped (6 persons): D--1500mm; Single--720*535*750mm(± 5mm)
Trapezoid: (6 persons): D--1470mm; Single --720*535*750mm(± 5mm)
Fan-shaped (8 persons): D--1850mm; Single--688*540*750mm(± 5mm)
Trapezoid: (8 persons): D--1825mm; Single --688*540*750mm(± 5mm)



Movable Combination Desk Z3-20-F2



1. Adopting E1 grade environmentally friendly board, it is insect proof, waterproof, and corrosion-resistant.
2. The funnel-shaped design at the top of the foot stand provides a large contact area between the legs and the tabletop, greatly improving load-bearing and stability.
3. The rotary installation method is simple and convenient.
4. The casters are equipped with locking buckles, allowing for free switching.
5. Convenient to push and pull when moving, stable and safe when fixed, without shaking.

Stacking Chairs Y3-09L

1. Electrostatic spray painted chair stand, durable and long-lasting. Aluminum alloy connectors are made of high-quality aluminum alloy die-casting, with a finely polished surface, exquisite appearance, and sturdy durability.
2. Soft polyester fabric, soft and breathable, skin friendly and more comfortable, high color fastness, long-lasting use without fading, wear-resistant and durable without pilling, resistant to dirt and easy to clean.
3. Horizontal stacking saves storage space. Exclusive mold production with high cost-effectiveness.
4. Environmentally friendly, non-toxic and odorless, with high strength, no deformation, and good toughness.
5. Product size: 58.5*54*85.5CM.



Sofa Style Training Chair Y10-01 series

1. A novel and rotatable personalized work desktop, convenient and practical.
2. Open seat design is the preferred choice for open teaching, seminar courses, training and other scenarios in various universities.



Auditorium Chair Y2-03

1. The seats are made of high-density shaped cotton, which is comfortable and durable.
2. The S-shaped "wrap around waist" design of the backrest conforms to ergonomic theory, providing perfect lumbar support for teachers and students.
3. The seat fabric feels comfortable to the touch, resistant to dirt, static electricity, and fading. Equipped with a concealed writing board and a high-end bracket, it can be folded without any abnormal noise.

